

S436A

4U Supports 36-bay SAS3,SATA3 3.5",2.5"HDD cage 12Gb/s Mini-SAS HD backplane

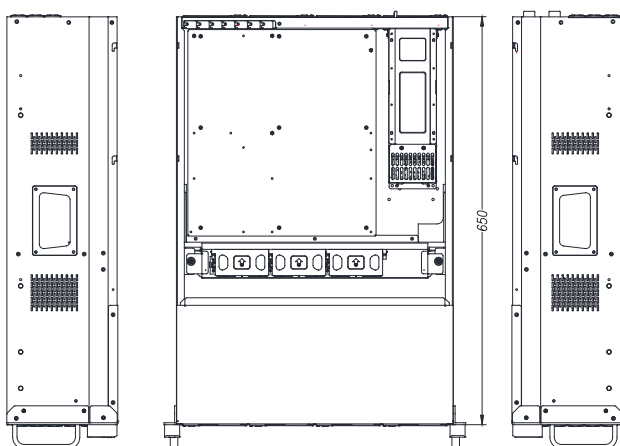
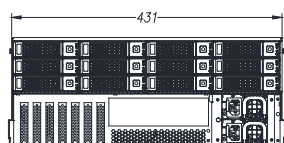


Specifications

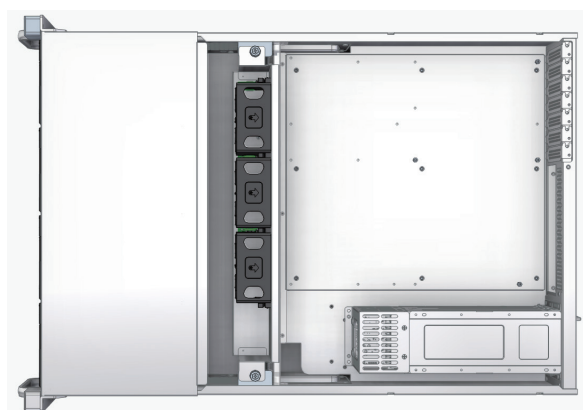
M/B	12"x13" E-ATX, SSI
Drive Bays	36x3.5" hot-swap Optional(Internal 2.5"x2)
Front Control	Power ON/OFF,UID,USB3.0 Power Status, HDD Ststus,Fan
Indicators	Status,Lan Activity
Cooling Fans	80x38 (mm) 6 pcs
HDD Backplane	SAS3.0 SATA3.0 x36 Mini SAS HDx9(SFF-8643)
Expansion Slots	7x Low Profile
PSU Form Factor	PS2, PS2 Redundant 80Plus CRPS 2U 1200W Meet CE Rohs
Material	AL6061, 1.0mm SGCC, ABS-PC
Net Weight	21.5 kg
Gross Weight	25.2kg
Dimensions(DxWxH)	650x431x176(mm)

Key Features

- ◆ Support SAS 3.0 12Gb/s, SATA 3.0 6Gb/s interface or backward compatibility.
- ◆ Support 9 pcs SFF-8643 internal MH2 mini-SAS HD interface connector for HBA card.
- ◆ Built-in front access USB3.0 port
- ◆ SATISFICATION- Whenever you have any queries of products, we'll dive right in and find out the root cause and feedback the best solution.



TOP VIEW



- ❖ Motherboards, hard drives, cables and expansion cards are NOT included in chassis.

FRONT VIEW



REAR VIEW

