

S424C

4U Supports 24-bay SAS3,SATA3 JBOD



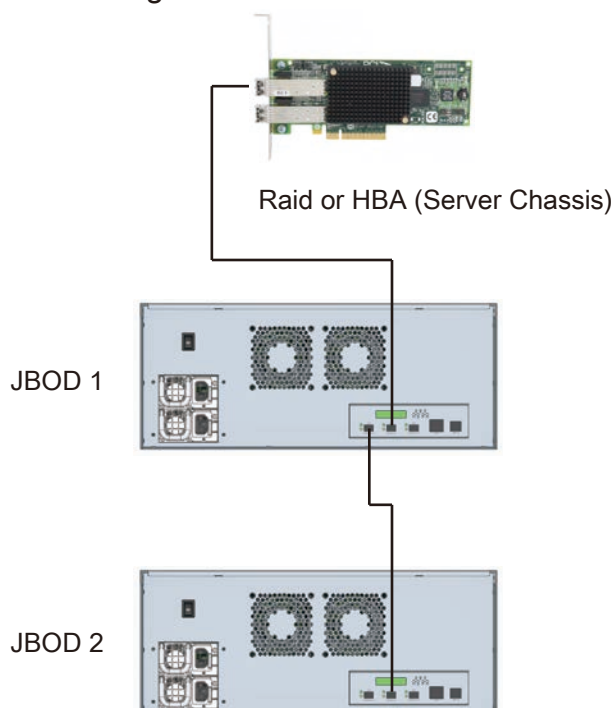
Specifications

M/B	JBOD
Drive Bays	24x3.5" hot-swap Optional NA
Front Control	NA
Indicators	Status,Lan Activity
Cooling Fans	80x38 (mm) 7 pcs
HDD Backplane	SAS3.0 SATA3.0 x48 Mini SAS HDx12(SFF-8643)
External SAS Port	3 x SFF-8644
PSU Form Factor	PS2, PS2 Redundant 80Plus CRPS 2U 800W Meet CE Rohs
Material	AL6061, 1.0mm SGCC, ABS-PC
Net Weight	16.1 kg
Gross Weight	19.3kg
Dimensions(DxWxH)	550x431x176(mm)

Key Features

- ◆ Support SAS 3.0 12Gb/s, SATA 3.0 6Gb/s interface or backward compatibility.
- ◆ Support 2 pcs SFF-8643 internal MH2 mini-SAS HD interface connector for HBA card.
- ◆ Built-in front access USB3.0 port
- ◆ SATISFICATION- Whenever you have any queries of products, we'll dive right in and find out the root cause and feedback the best solution.

Connection Diagram



TOP VIEW



FRONT VIEW



REAR VIEW

