

S104B

1U Supports 4-bay SAS3,SATA3 3.5",2.5"HDD cage 12Gb/s Mini-SAS HD backplane

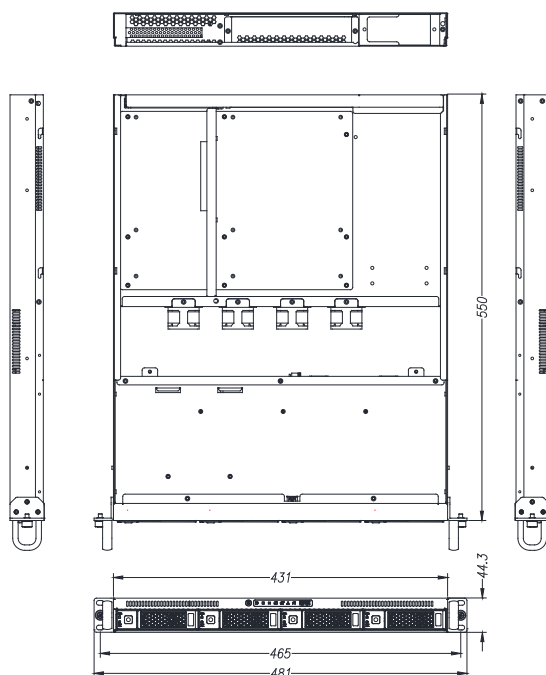


Specifications

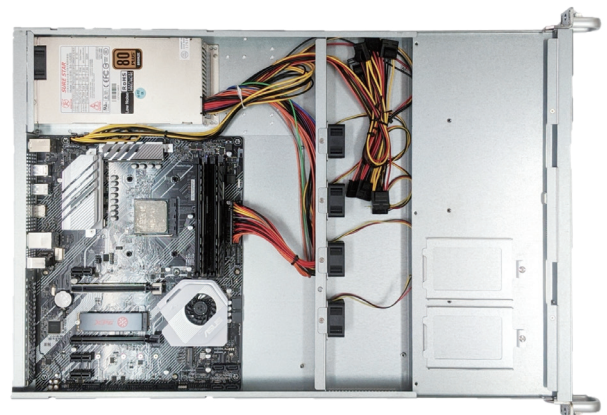
M/B	12"x9.6"ATX
Drive Bays	4x3.5" hot-swap Optional(Internal 2.5"x2)
Front Control	Power ON/OFF,UID,USB3.0 Power Status, HDD Ststus,Fan
Indicators	Status,Lan Activity
Cooling Fans	40x25 (mm) 4 pcs
HDD Backplane	SAS3.0 SATA3.0 x4 Mini SAS HDx1(SFF-8643)
Expansion Slots	1x Full Height
PSU Form Factor	1U Single, 1U Redundant 80Plus Meet CE Rohs
Material	AL6061, 1.0mm SGCC, ABS-PC
Net Weight	7.7kg
Gross Weight	9.7kg
Dimensions(DxWxH)	650x431x44.3(mm)

Key Features

- ◆ Support SAS 3.0 12Gb/s, SATA 3.0 6Gb/s interface or backward compatibility.
- ◆ Support 1 pcs SFF-8643 internal MH1 mini-SAS HD interface connector for HBA card.
- ◆ Built-in front access USB3.0 port Optional Internal 2-bay 2.5 HDD cage for OS drive (SAS/SATA) or Cache (NVMe) buffer use
- ◆ SATISFICATION- Whenever you have any queries of products, we'll dive right in and find out the root cause and feedback the best solution.



TOP VIEW



- ◆ Motherboards, hard drives, cables and expansion cards are NOT included in chassis.

FRONT VIEW



REAR VIEW

